



# VIBRO-LASER

SHAFT ALIGNMENT TOOL

# WHAT WE DO

WE DELIVER THE WORLD'S MOST FEATURE RICH PRECISION  
LASER MEASUREMENT SYSTEM FOR THE PRICE



We are pleased to present the newest innovation in wireless portable laser shaft alignment technology, the Vibro-Laser Shaft Alignment Tool. The VLSAT is the perfect introductory laser shaft alignment system for beginners and advanced users alike.

The ONLY 3 Operating System Laser Shaft Alignment System in the world, VLSAT is available on Microsoft Windows®, Android® and iOS® for iPad®. Select your tablet option from those we offer, or bring your own device that meets or exceeds our minimum requirements.

VLSAT is ergonomically designed for the most rugged environments. This product offers an absolutely innovative, step-by-step, responsive interface which simplifies the alignment process and reduces the time it takes to complete each alignment.

Technology has become less expensive and end users know it. VLSAT meets the highest quality standards and balance the best price and feature set on the market.

With the VLSAT you receive the most common features for laser shaft alignment and can easily upgrade to more advanced features with a simple license key upgrade. Regardless of your location, all you need to get additional features is internet connection.

# STEP BY STEP

USER INTERFACE WALKS YOU THROUGH PRECISION ALIGNMENT WITH EASE

**① STEP**

rpm	mm	mm / 100
0-1000	0.07	0.06
1000-2000	0.05	0.05
2000-3000	0.03	0.04
3000-4000	0.02	0.03
4000-5000	0.01	0.02
5000-6000	0.01	0.01

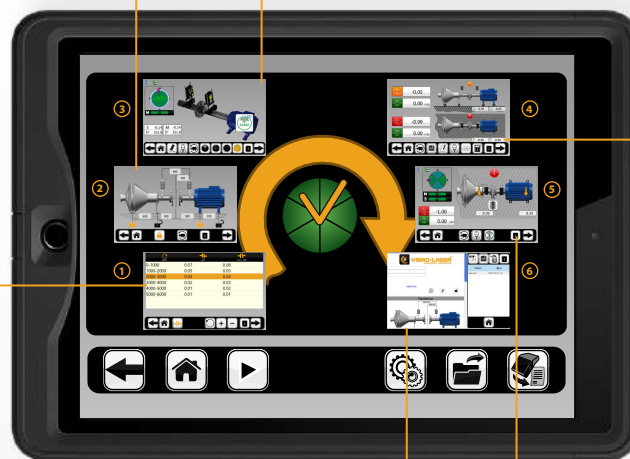
Select tolerances or enter your tolerance values. Select coupling type (machine)

**② STEP**

Insert the dimensions. Select which pairs of feet are locked

**③ STEP**

Take a measurement by turning the sensors



Save report. Select photo or logo

**⑥ STEP**

Live aligning in any angle position of the measuring units

**⑤ STEP**

Measurement results. Save the results by tapping the diskette icon

**④ STEP**

# TECHNICAL DATA

ENGINEERED FOR MAXIMUM RESOLUTION, ACCURACY  
AND MINIMAL SET UP TIME



The VLSAT units use the latest digital, and Bluetooth data processing technology. Eliminating pre-alignment and minimizing setup time is intrinsically engineered into the VLSAT through the utilization of our exclusive 30 mm last generation digital linear detector. Thanks to compact waterproof and durable aluminum case of the sensor's units, you can work in the most confined and harsh environments.

<b>DISTANCE BETWEEN UNITS</b>	up to 10 m (33 ft)
<b>LASER EMISSION</b>	diode laser with wavelength 635nm, class II, <1 mW
<b>DETECTOR TYPE</b>	last generation of industrial linear sensor
<b>DIMENSIONS</b>	90mm x 60mm x 32mm (3,5 in x 2,3 in x 1,2 in)
<b>DETECTOR RECEIVER LENGTH</b>	30 mm (1,2 in)
<b>DETECTOR RESOLUTION</b>	0,001 mm
<b>PROTECTION CLASS</b>	IP67 (Dust-tight and protected against water)
<b>MEASURING ACCURACY</b>	0.3% ± 7µm
<b>BLUETOOTH</b>	4.0
<b>OPERATING TEMPERATURE</b>	from -10 ° C to +55 ° C (14 to 122°F)
<b>TIME OF OPERATION</b>	up to 20 hours
<b>EX CERTIFICATION (OPTION)</b>	EACEx in accordance with Customs Union Technical Regulation TP TC 012/2011

# SOFTWARE

WITH THE VLSAT YOU RECEIVE ALL NEEDED FEATURES FOR LASER SHAFT ALIGNMENT WITH A SIMPLE LICENSE KEY UPGRADE



HORIZONTAL ALIGNMENT



CLOCK METHOD



SMART ANGLE™



SMARTSPIN™



SMARTPOINTS™



VERTICAL/FLANGE MOUNTED MACHINES



SOFT FOOT CHECK



REPEATABILITY TABLE



BOLT OR BASE BOUND



SELECT COUPLING TYPE



CARDAN SHAFT



MACHINE TRAIN



USER DEFINED TOLERANCE



SMART FILTER



VIBEDR™



LIVE MOVE MODE



SENSOR READINGS



SAVE JOB



USER FRIENDLY REPORTS



THERMAL GROWTH EXPANSION



SWITCHIT™



SHIMS CALCULATOR



INTERMEDIATE FEET CALCULATOR



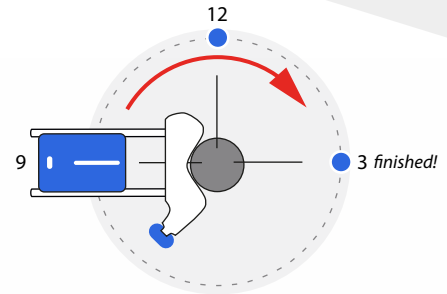
HELP

# FEATURES

A BRAND NEW STEP BY STEP, INTUITIVE INTERFACE WITH 3D ANIMATION

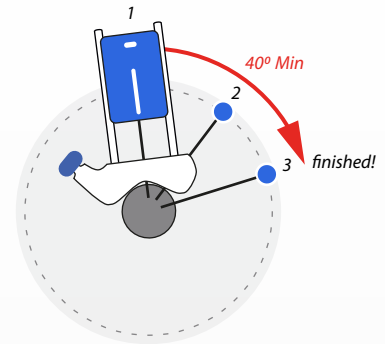
## CLOCK METHOD

The 9-12-3 o'clock method is the basic method for taking measurements. It requires a clear set of units at the 9, 12 and 3 o'clock positions.



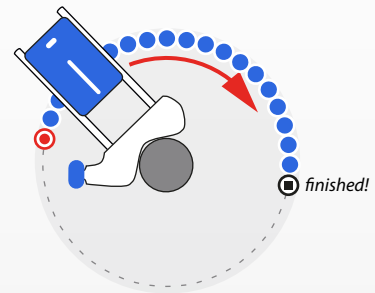
## SMARTANGLE™

Take measurements at any three positions of the shaft rotation. Turn shafts in any direction at least by 20 degrees and register the results. This mode is extremely helpful when the clock method is off limits.



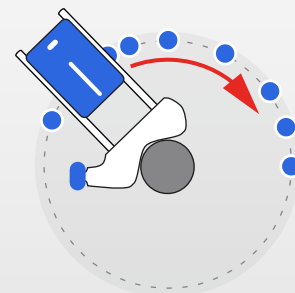
## SMARTSPIN™

The measured values are automatically recorded during shaft rotation. With hundreds of points registered SmartSpin™ provides the greatest possible repeatability of measurements. You can start measuring at any shaft position.



## SMARTPOINTS™

This multipoint method allows you to record an unlimited number of points at any sector of the shaft circumference. It is perfect for centering turbines and machines with sleeve bearings.

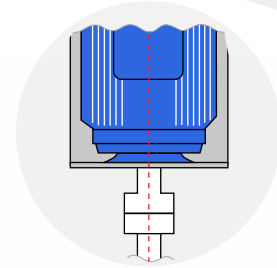


# FEATURES

OUR USER INTERFACE IS SIMPLE, YET ELEGANT  
AND WALKS YOU THROUGH PRECISION  
ALIGNMENT WITH EASE

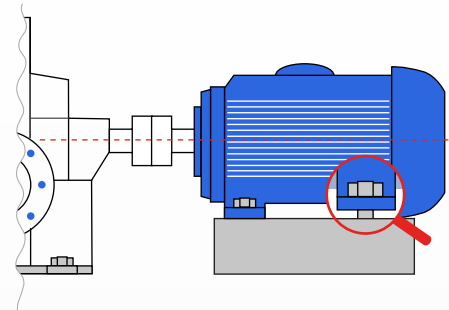
## VERTICAL/FLANGE MOUNTED MACHINES

Measure and align vertical and flange machines with a program specially created for this purpose.



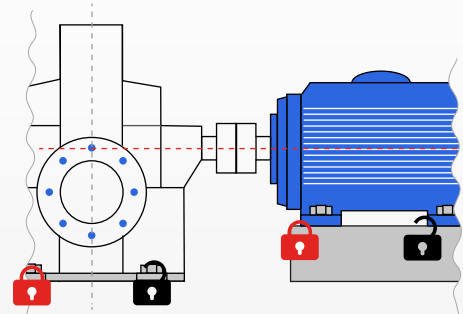
## SOFT FOOT CHECK

Adjust machine feet beforehand for better results. Soft foot check option is designed specifically for this job. The program analyzes the position of machine feet, indicates if any of them need adjustment, and saves all values for the further work.



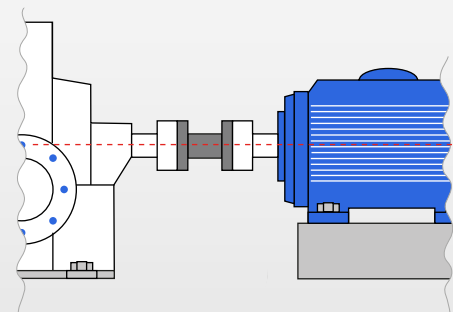
## BOLT OR BASE BOUND

Get any pair of feet locked on the machine. Enabling this option will ensure precise results when aligning base-bound or bolt-bound machines.



## SELECT COUPLING TYP

This option allows you to specify the coupling type used for shaft connection – i.e., short flex or spacer shaft.

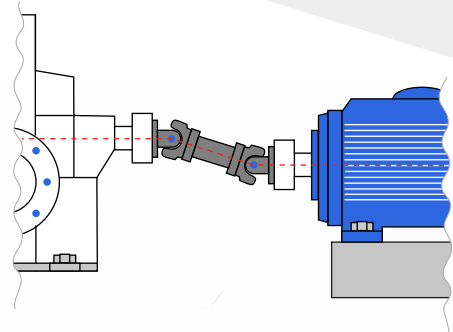


# FEATURES

THE VLSAT IS THE PERFECT INTRODUCTORY LASER SHAFT ALIGNMENT SYSTEM FOR BEGINNERS AND ADVANCED USERS ALIKE

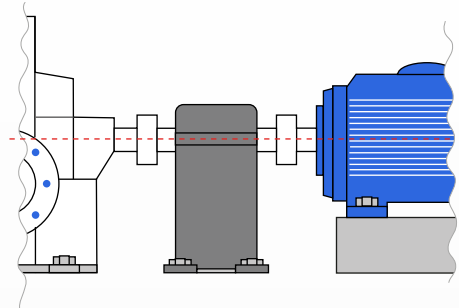
## CARDAN/OFFSET MOUNTED MACHINES

This option is specially designed for alignment of cardan and offset mounted machines. You will need an additional Cardan bracket kit to do the job.



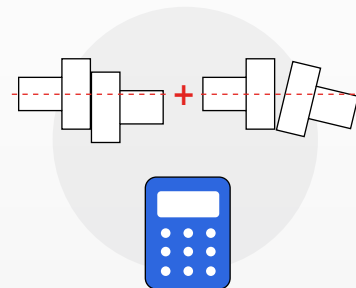
## MACHINE TRAIN

Enable this option and align shafts of up to five machines that are connected together.



## USER DEFINED TOLERANCE

Specify the alignment tolerance and user definable tolerances in advance according to the machine rotation speed.



## SMARTFILTER

Keep the alignment precise under any circumstances. The averaging filter reduced the influence of external visual challenges such as lighting, steam, and other visually impairing variables while taking measurements.



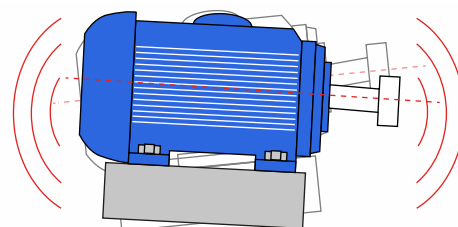


# FEATURES

WITH THE VLSAT YOU CAN EASILY UPGRADE TO MORE ADVANCED FEATURES WITH A SIMPLE LICENSE KEY UPGRADE

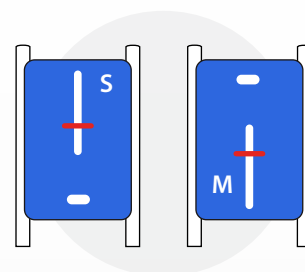
## VIBEDR™

VibeDr filters vibration related influences that can negatively impact precision alignment thus insuring the machines in the same proximity do not adversely effect your alignment job.



## SENSOR READINGS

Monitor the data coming directly from the measuring units on the screen of your device.



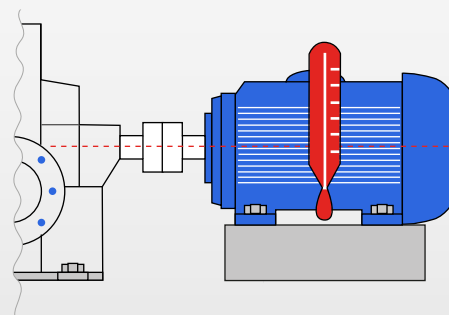
## USER-FRIENDLY REPORTS

Save alignment reports in PDF, add photos of the unit, the company logo and work notes when necessary.



## THERMAL GROWTH EXPANSION

Automatic compensation system for the thermal growth expansion of machines allows to keep the efficiency of alignment in any environment.



# FEATURES

OUR PRODUCTS MAKE YOUR WORK EASIER AND IMPROVES EQUIPMENT PERFORMANCE

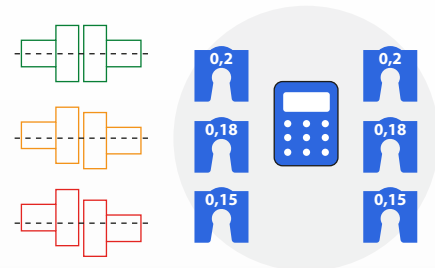
## SWITCHIT™

Simplify the measurements by selecting the machine location relative to an operator.



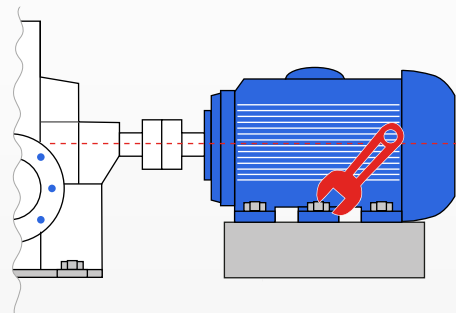
## SHIMS CALCULATOR

Allows user simulate changes in alignment results with virtual movement of the machine in horizontal and vertical planes.



## INTERMEDIATE FEET CALCULATOR

In cases where the unit has more than two pairs of feet, it may be necessary to calculate the intermediate feet. In this case it is necessary to use the feature Intermediate feet calculator.



## HELP

Embedded within the VLSAT application is the entire step-by-step help manual. Simply select the "help" icon at any time and the manual will open to the appropriate step or feature in the alignment process.



# WE HELP BUSINESS BE BETTER

ALIGNMENT IMPROVES EQUIPMENT PERFORMANCE AND  
HAS AN OVERALL POSITIVE IMPACT



There always is a human mind behind our products. We develop our products based upon the needs and requests of our customers...more importantly we deliver above and beyond expectations. We believe that our company can unite all kinds of people. Our differences are what make both our products and the customer experience better.

## **A FULL TWO-YEAR WARRANTY**

We guarantee product quality and offer a warranty which is valid all over the world

## **WE PROVIDE TRAINING**

You can learn from us at the New York office or from our distributors across the globe

## **24 HOUR TECHNICAL SUPPORT**

Regardless of your time zone, you will receive any help you need

## **REMOTE UPDATE**

All you need to get the new features or update the version of your software is internet connection

## **BEST OFFER ON THE MARKET**

Our products meet the highest quality standards and balance the best price and feature set on the market

## **INDUSTRY LEADING LIFETIME WARRANTY**

System must be calibrated and serviced annually to apply

# CONTACTS

WE SAY NO BUREAUCRACY. THIS IS WHY YOU CAN ALWAYS CONTACT US DIRECTLY, SEND YOUR FEEDBACK OR ASK QUESTIONS

## LET'S TALK



+1-518-874-2700



[info@vibro-laser.com](mailto:info@vibro-laser.com)



19, EXCHANGE STREET,  
GLENS FALLS, NY 12801, USA



[www.vibro-laser.com](http://www.vibro-laser.com)

